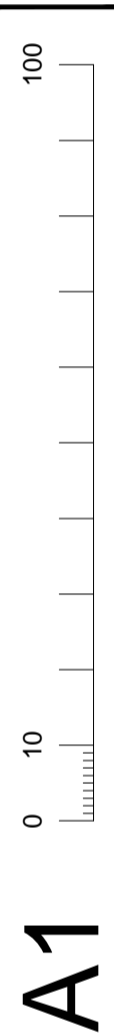
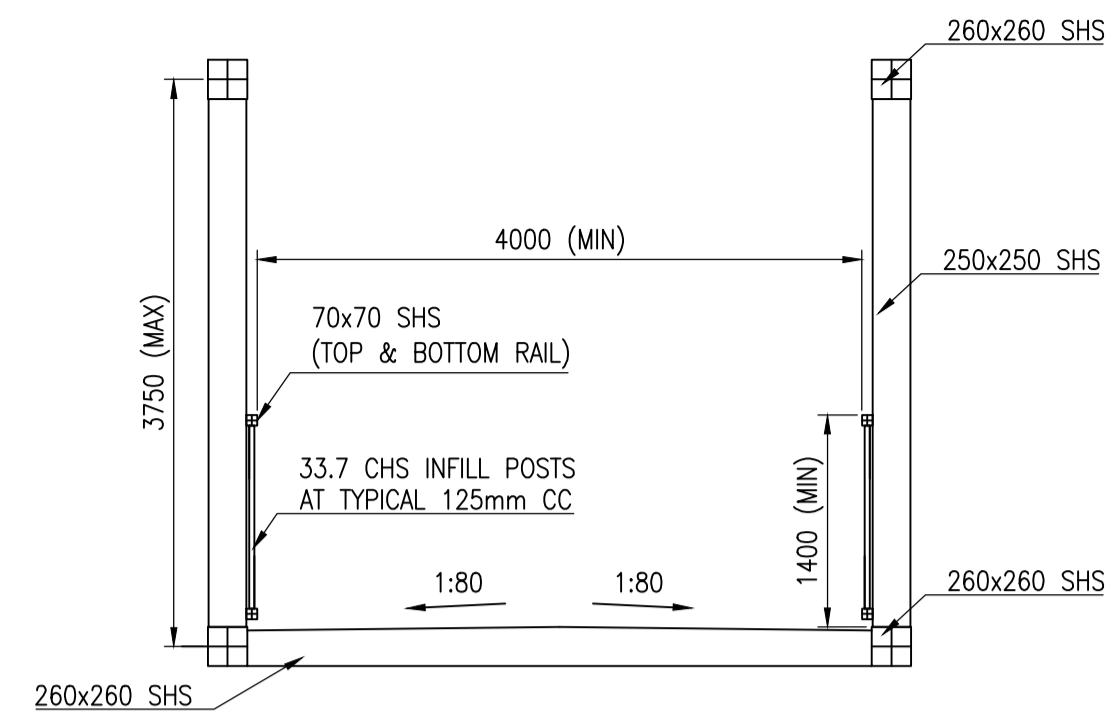


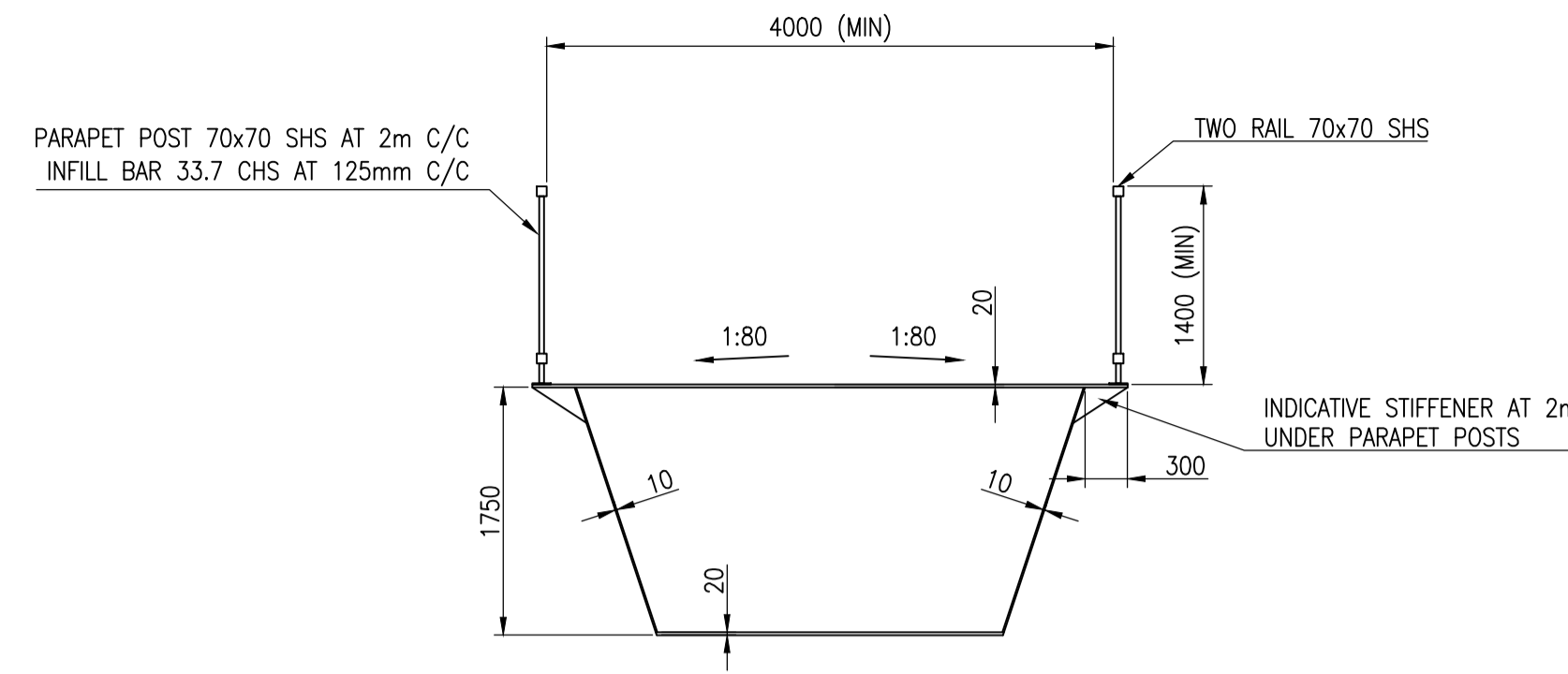
DO NOT SCALE



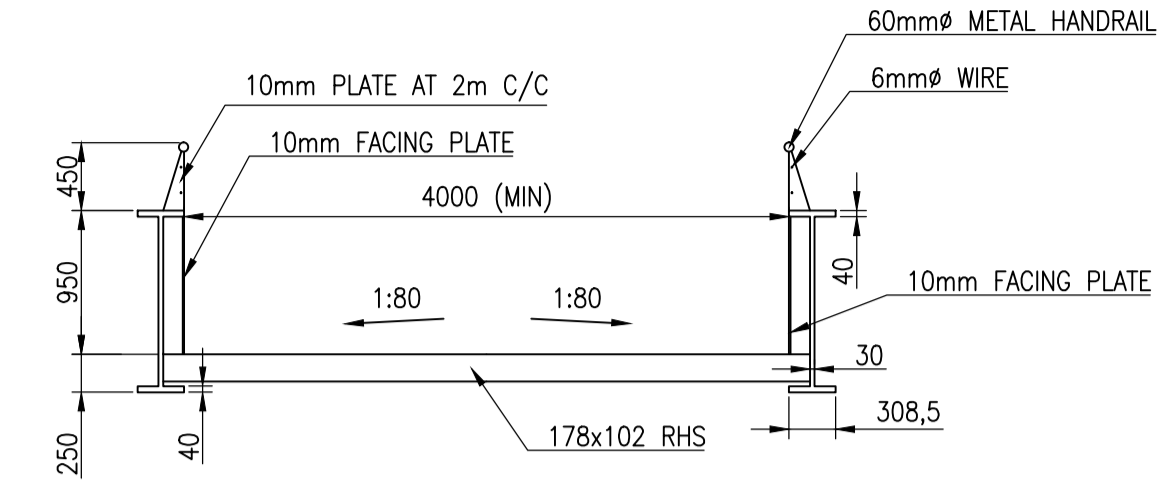
A1



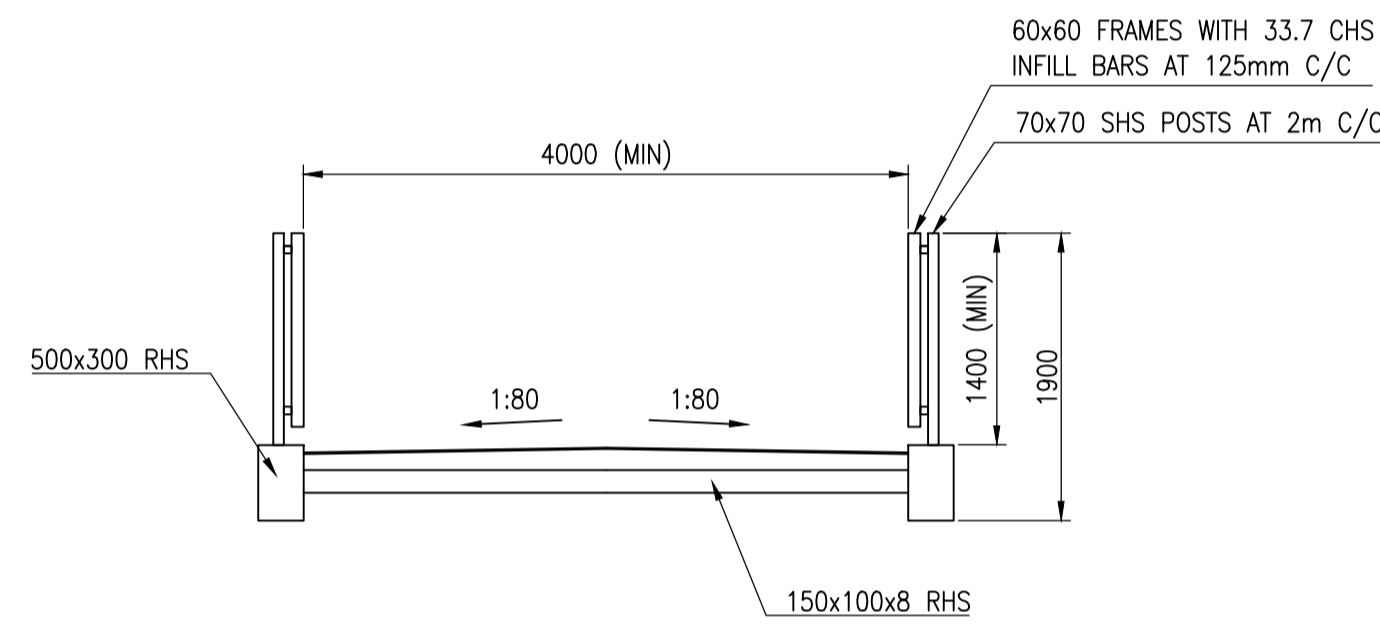
MAIN SPAN OPTION 1
 STEEL TRUSS
 TYPICAL CROSS SECTION
 SCALE 1:50



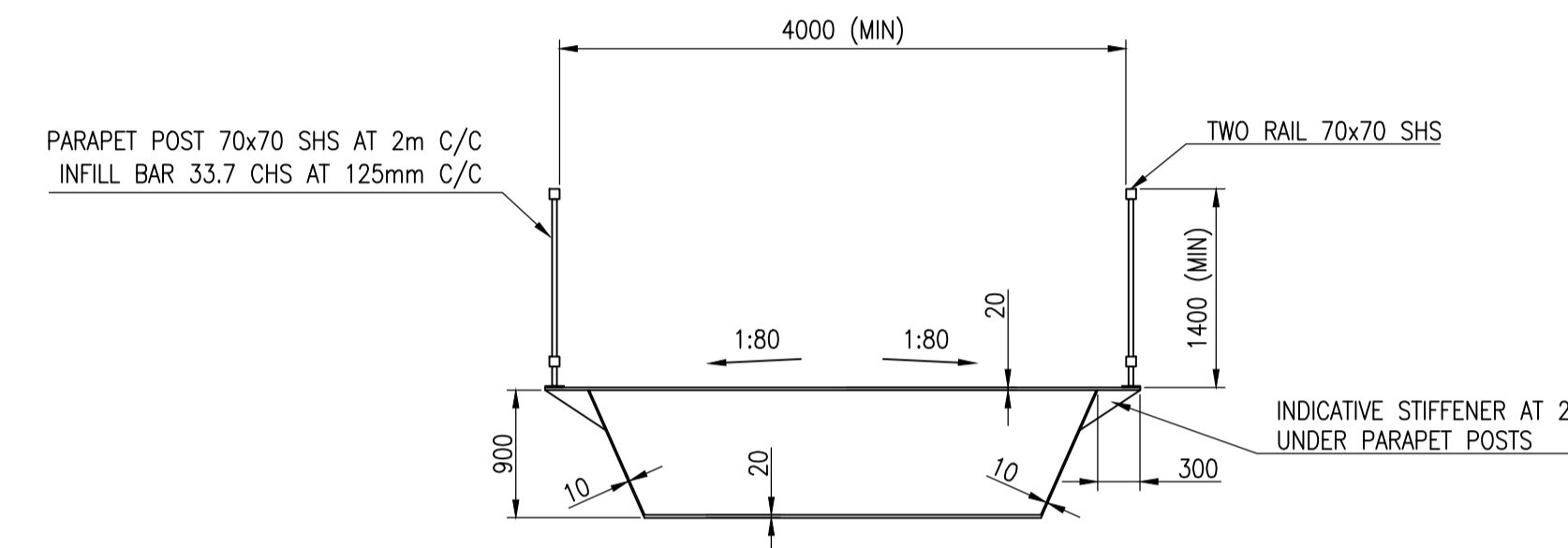
MAIN SPAN OPTION 2
 DECK ON BEAM/BOX GIRDER
 TYPICAL CROSS SECTION
 SCALE 1:50



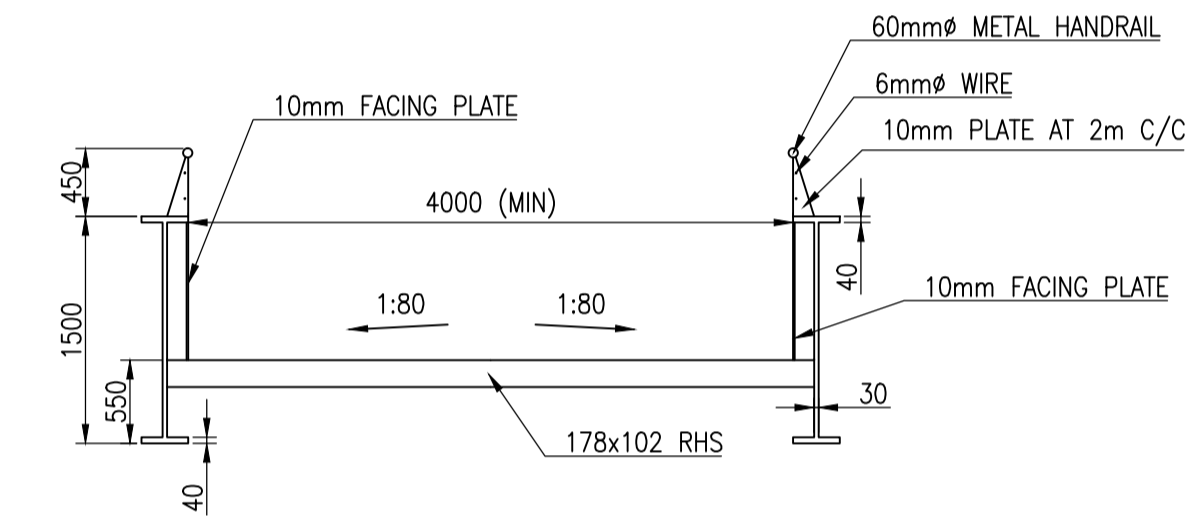
MAIN SPAN OPTION 3
 STEEL THROUGH GIRDER
 CROSS SECTION AT END OF SPAN
 SCALE 1:50



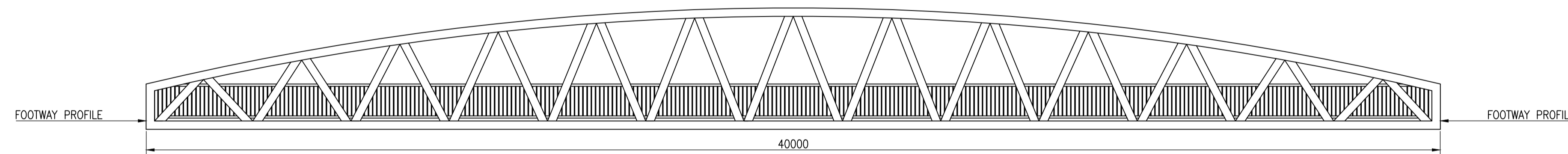
DECK ON BEAM RAMP OPTION
 TYPICAL CROSS SECTION
 SCALE 1:50



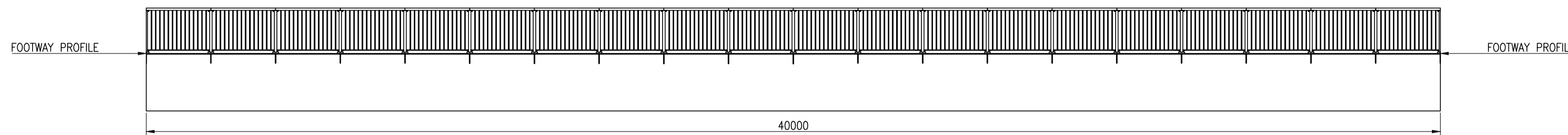
BOX GIRDER RAMP OPTION
 TYPICAL CROSS SECTION
 SCALE 1:50



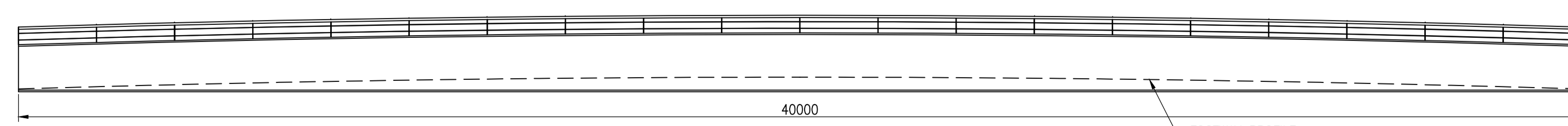
MAIN SPAN OPTION 3
 STEEL THROUGH GIRDER
 CROSS SECTION AT MID-SPAN
 SCALE 1:50



MAIN SPAN OPTION 1 - STEEL TRUSS
 ELEVATION
 SCALE 1:100



MAIN SPAN OPTION 2 - DECK ON BEAM/BOX GIRDER
 ELEVATION
 SCALE 1:100



MAIN SPAN OPTION 3 - STEEL THROUGH GIRDER
 ELEVATION
 SCALE 1:100

NOTES:

1. DIMENSIONS ARE IN MILLIMETRES UNLESS OTHERWISE STATED.

SAFETY, HEALTH AND ENVIRONMENTAL INFORMATION

IN ADDITION TO THE HAZARDS/RISKS NORMALLY ASSOCIATED WITH THE TYPES OF WORK DETAILED ON THIS DRAWING, NOTE THE FOLLOWING SIGNIFICANT RESIDUAL RISKS

CONSTRUCTION	NONE
MAINTENANCE/CLEANING	NONE
USE	NONE
DECOMMISSIONING/DEMOLITION	NONE

A FIRST ISSUE DF 08/13

Rev	Description	By	Date	Chk'd	Auth

A FOR INFORMATION

Rev	Purpose of Issue	Date	Auth

Cambridgeshire Highways
 Design and Engineering Services
 5 Wellbrook Court
 Girtton Road
 Cambridge
 CB3 0NA
 Fax: (01223) 814520
 Tel: (01223) 814400



Client
CHESTERTON FOOTBRIDGE

Title
MAIN SPAN AND RAMP OPTIONS

Original Scale	Designed/Drawn	Checked	Authorised
As Shown	DF		
	Date 14/08/13	Date	Date

Status	Drawing Number	Rev
P	5123834_BR_FS_001	A